

FLEX CRAFT

ONE TOOL...



**ENDLESS
POSSIBILITIES**



TOP REASONS

Why use Flex Craft?

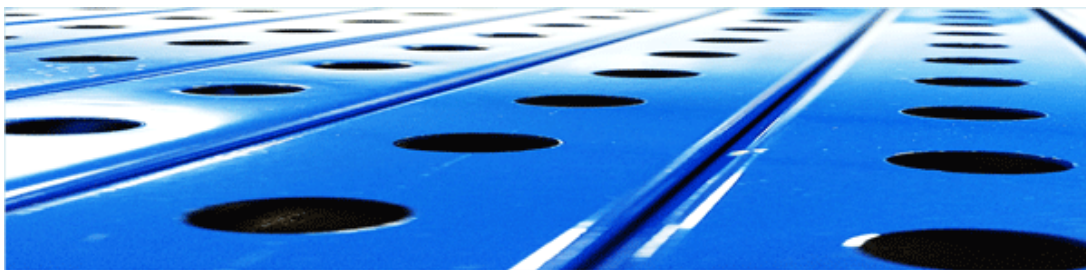
- **Fast Assembly**
You can start building right off the pallet! A ½" wrench, an idea and a couple of minutes until your project is ready to implement.
- **Fast Design**
Even though most sketches will do the job, Flex Craft offers a FREE design program that is easy to use, just copy and paste. CAD drawings are available upon request.
- **Fast Modifications**
Once you have your build done and have a new need, simply add on to the existing project or switch up the build with additional tubes or plug-and-play accessories.
- **Friendly System**
The Flex Craft bolt-together system is so easy to construct, that anyone can build their own custom solutions in minutes!
- **Friendly Components**
With Flex Craft's standard precut sizes, so you don't have to cut tubing.
- **Friendly Support**
Whether you're a first-time Flex Craft user or a seasoned veteran, our Sales Engineers are here to help.
- **Friendly Pricing**
Using a different product or method? Compare it to a Flex Craft quote and see why so many companies have made the switch.
- **Flexible Framing**
Flexible in design only. Flex Craft perforated square tubing is made from 16 or 12-gauge steel that bolts together. Our product is built fast and made to last!
- **Flexible ROI**
Flex Craft is 100% reusable. Simply take the old project apart and reconfigure it to build your new solution.
- **Flexible Configurations**
How many different projects can you create? The answer is endless.

Fast, Friendly, Flexible, Flex Craft!

Bring your creative continuous improvement ideas to life
and become World Class with Flex Craft.

TABLE OF CONTENTS

| TABLE OF CONTENTS | |
|--------------------------|--------------------|
| <u>SECTION</u> | <u>PAGE</u> |
| ABOUT US | 3 |
| TUBING | 4 |
| TECHNICAL | 5-7 |
| BRACKETS | 8-10 |
| ACCESSORIES | 11-14 |
| CONVEYORS | 15-16 |
| TOWABLES | 17 |
| WIRE FORM | 18 |
| CASTERS / FEET | 19-22 |
| FASTENERS | 23-25 |
| RFQ | 26-27 |
| ASSEMBLY SERVICE | 28-29 |
| EXAMPLES | 30-34 |



ABOUT US

About Our Business

Flex Craft was invented in 2006 by Doug Sparks (a Lean Practitioner) for O.E.M. and Custom Manufactures. Doug saw a need for material handling solutions that could be easily assembled by anyone and be configured or modified in minutes.

About Our Products

Flex Craft products are standardized so anyone can quickly and easily build their own custom solution using a standard tool, a 1/2" wrench.



Pictured above – Terri & Doug Sparks, Owners of Flex Craft



Our Mission

We are committed to providing our stake holders with empowering systems which will continue to re-define industry standards with our innovative products, systems, and service, providing the best experience possible; while our customers-oriented focus strives to build long-term value-added relationships.

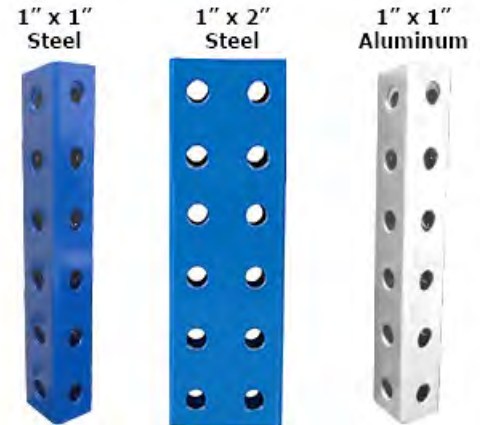
www.flex-craft.com

507-858-0148

info@flex-craft.com

TUBING

1"x1" 16 Gauge powder coated mechanical steel
1"x2" 12 Gauge powder coated mechanical steel
1"x1" 16 Gauge Anodized Aluminum (Grade 6061-T6)



NO Cutting Needed

1" x 1" Square tubing is available in standard **pre-cut** 6" increments (6", 12", 18", etc.) up to 120" long. Utilizing standard sizes minimizes the need for cutting when re-purposing projects into new ideas easily. Custom lengths are available upon request.

1" x 2" Rectangle tubing is available in standard 120" length. Custom lengths are also available upon request.

1" x 1" Aluminum Square tubing is available in standard 120" length. Custom lengths are also available upon request.

Flex Craft stock colors are green, red, orange, yellow, white, grey, black, & blue (pictured below) are ideal for 5S and color coding. Custom colors are available upon request.

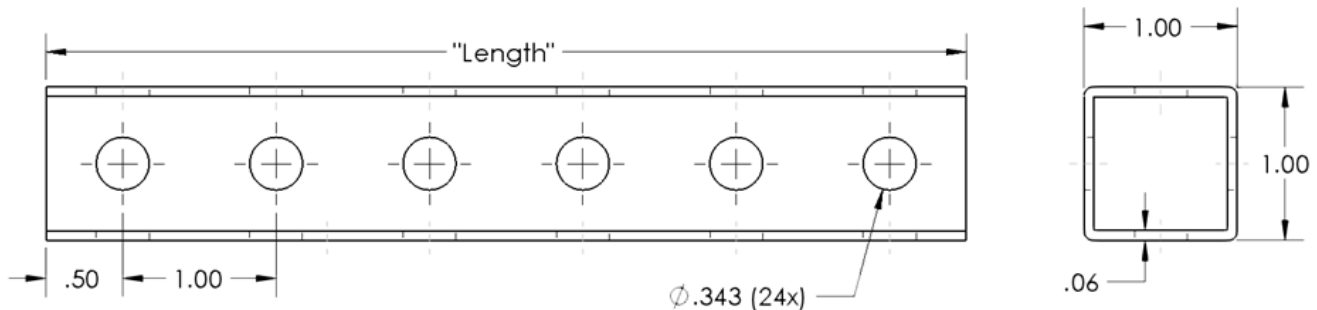


TECHNICAL-TUBE LOAD 1" X 1"

Evenly Distributed Load

| <u>Distance Between Uprights</u> | <u>Steel</u> | <u>Aluminum</u> |
|----------------------------------|--------------|-----------------|
| 12" | 970 lbs. | 648 lbs. |
| 24" | 480 lbs. | 319 lbs. |
| 36" | 304 lbs. | 204 lbs. |
| 48" | 242 lbs. | 161 lbs. |
| 60" | 194 lbs. | 130 lbs. |
| 72" | 148 lbs. | 105 lbs. |
| 84" | 138 lbs. | 91 lbs. |
| 96" | 122 lbs. | 81 lbs. |
| 108" | 104 lbs. | 69 lbs. |
| 120" | 76 lbs. | 50 lbs. |

The Above Load Rating is based on the Direct Bolt joint, not Bracketed Joints.



Key points when designing

- **Technical specifications are for reference only.**
- **Not intended for human support.**
- Always remember, your strongest joint is the Direct Bolt.
- 1"x1" Steel weigh 0.7 lbs. per foot.
- 1"x1" Aluminum weigh 0.2 lbs. per foot.
- Single point load is 1/2 the strength of an evenly distributed load.

Calculating Load Capacity examples

- An Evenly Distributed Load placed on 2 – 36" steel tubes would start to yield/deflect around 608 lbs. (2 tubes x 304 lbs.).
- An Evenly Distributed Load placed on 2 – 36" Aluminum tubes would start to yield/deflect around 408 lbs. (2 tubes x 204 lbs.).

Effective Countermeasures:

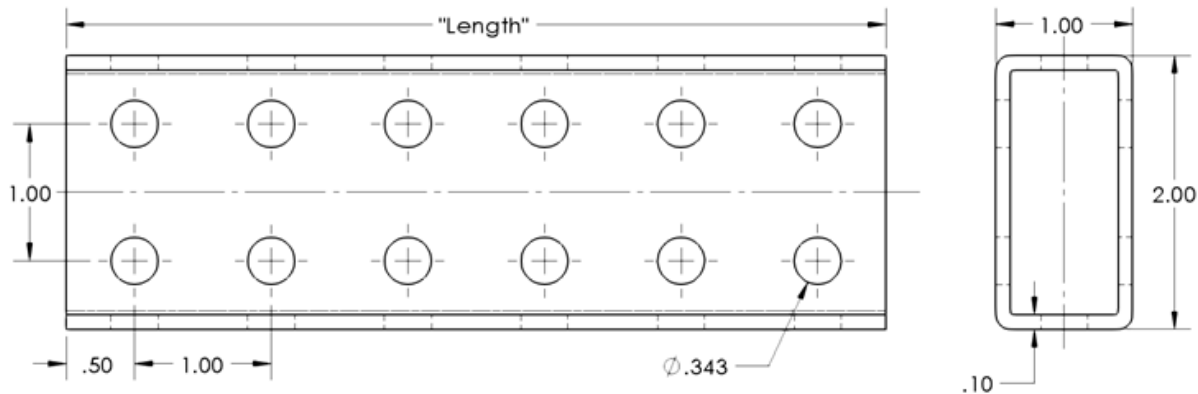
- Add either (or both) additional vertical or horizontal tube supports for additional strength.
- Doubling Tubes – bolting 2 tubes together either horizontally or vertically redistributes the load weight from 2 tubes to 4 tubes.

TECHNICAL-TUBE LOAD 1" X 2"

Evenly Distributed Load

| <u>Distance Between Uprights</u> | <u>1" x 2" Tall</u> | <u>1" x 2" Wide</u> |
|----------------------------------|---------------------|---------------------|
| 12" | 8,250 lbs. | 2,648 lbs. |
| 24" | 4,082 lbs. | 1,310 lbs. |
| 36" | 2,586 lbs. | 830 lbs. |
| 48" | 2,058 lbs. | 661 lbs. |
| 60" | 1,650 lbs. | 530 lbs. |
| 72" | 1,259 lbs. | 404 lbs. |
| 84" | 1,174 lbs. | 377 lbs. |
| 96" | 1,038 lbs. | 333 lbs. |
| 120" | 826 lbs. | 264 lbs. |

The Above Load Rating is based on the Direct Bolt joint, not Bracketed Joints.



Key points

- **Technical specifications are for reference only.**
- **Not intended for human support.**
- 1"x2" weigh 1.81 lbs. per foot.
- 1" x 2" tube works as a stand-alone framing system, as well as integrates and enhances the 1" x 1" system.
- Single point load is 1/2 the strength of an evenly distributed load.

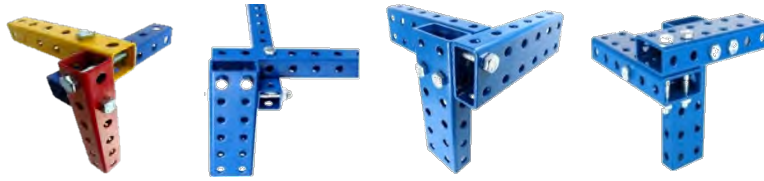
Calculating Load Capacity examples

- An Evenly Distributed Load placed on 2 – 36" Tall 1"x2" tubes would start to yield/deflect around 5,172 lbs. (2 tubes x 2,586 lbs.).

Effective Countermeasures:

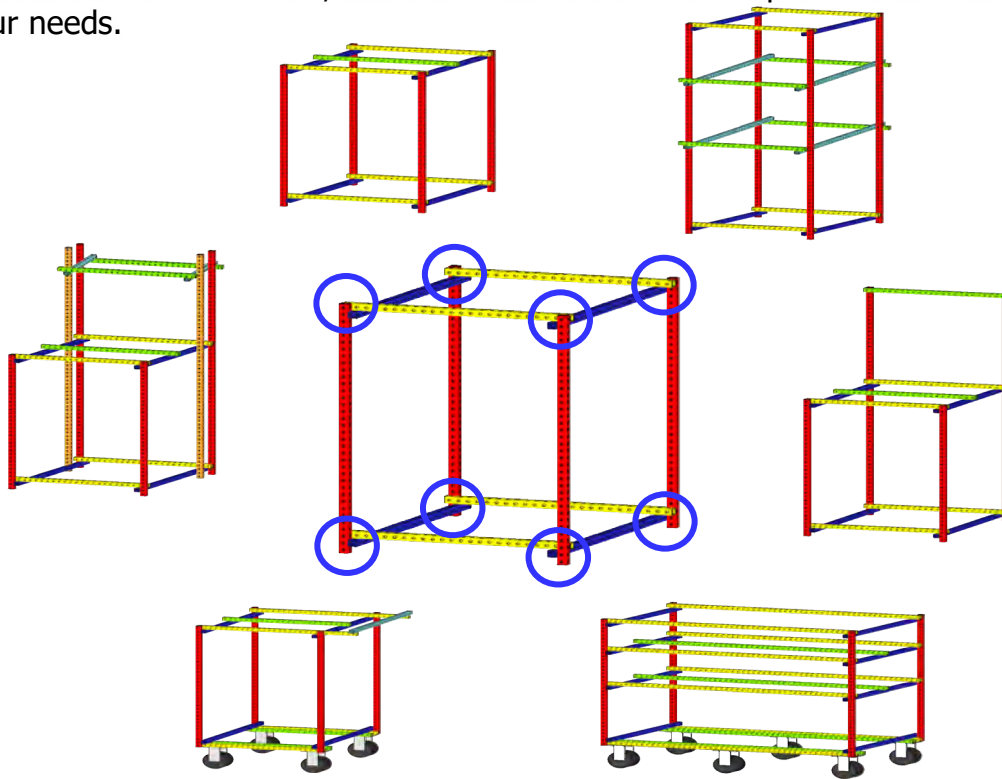
- Add either (or both) additional vertical or horizontal tube supports for additional strength. This redistributes the load weight from 2 tubes to 4 tubes.
- Doubling Tubes – bolting 2 tubes together either horizontally or vertically redistributes the load weight from 2 tubes to 4 tubes.

BUILD TECH TIPS



Direct bolt joint pictured above is also known as a 3-point Registration, it is the strongest and most robust joint for constructing the frame of your project. Using 3-point registration automatically squares your framework when the bolts are fully tightened. *Patented, all rights reserved.*

Law of Cubing For the strongest possible construction, use the direct bolt method on as many corners as possible. At a minimum, use the direct bolt on the 4 top & 4 bottom corners and then fill to fit your needs.

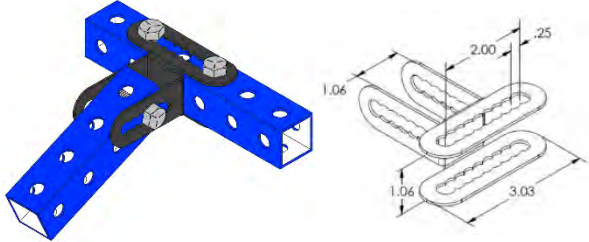


Key points when designing

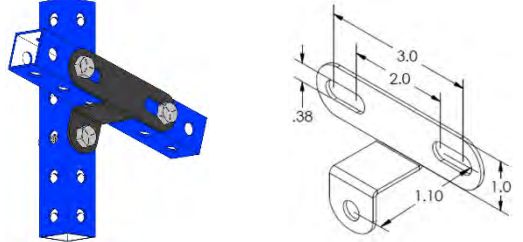
- **Technical specifications are for reference only and are subject to change.**
- **Not intended for human support.**
- **Know max weight capacities.**
- Traveling with FIFOs, the product should flow in the forward direction of the cart.
- If mobile/motion/vibration is required, secure your framework using Nylon Lock Nuts.
- When configuration height is twice the size of its base (width or depth) vs. height.
 - Tip - Use kickstands to raise to a preferred height and only when needed.
- 4 vs. 6 wheels – 6 caster tuggers turn sharper with more weight distribution.
- Clinch Head Bolts must be used in combination with Hex Nuts and Split Lock Washers.
- When designing pivoting arms, watch for pinch points, and insert safety features when needed to avoid injury and potential product damage.
- Always remember, your strongest joint is the Direct Bolt.
- Bolts used are 5/16 – 18 UNC

BRACKETS

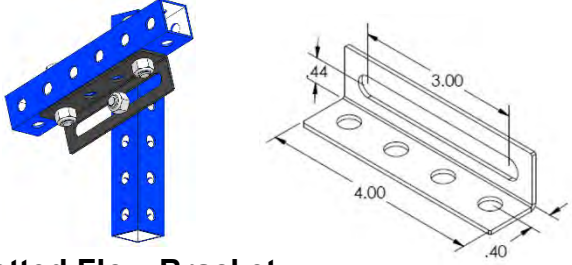
Brackets assist in various applications. They allow for ease of adding additional support horizontally, vertically, or angled. The Flex Craft series of accessories will add versatility to your projects. Have an idea or need for a new bracket? Contact one of our Flex Craft Sales Engineers as we are continually adding to our product line.



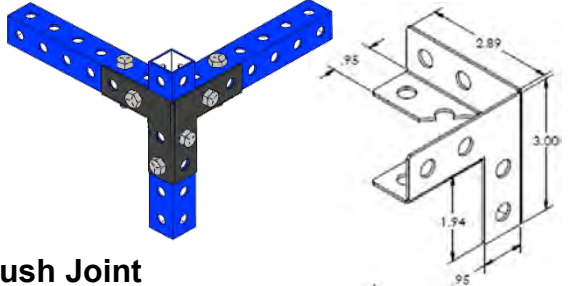
Multi-Slot Bracket
Part #: 50113010
 Shelving, angled support. Single joint used to allow 1/4" incremental adjustments.



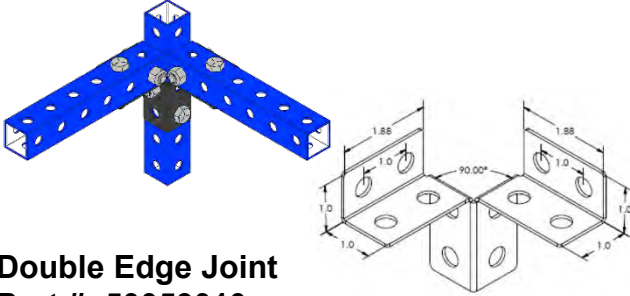
Universal Flow Bracket
Part #: 4300001
 Creates custom angles for flow shelf support.



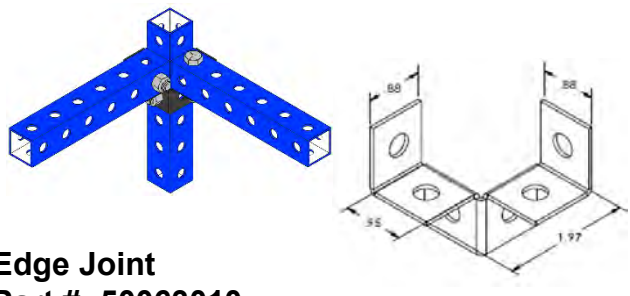
Slotted Flow Bracket
Part #: 43000002
 Creates quick adjustment angles for flow shelves.



Flush Joint
Part #: 50083010
 Creates flush connections. Connects to the exterior of the vertical tube.

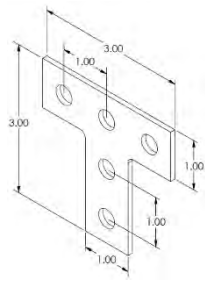


Double Edge Joint
Part #: 50053010
 Shelving, support, mounting surfaces, & stops. Connects to the interior of the tube.



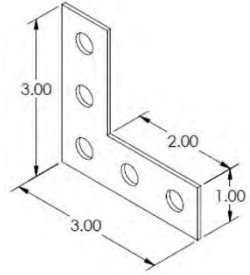
Edge Joint
Part #: 50063010
 Shelving, support, mounting surfaces, & stops. Connects to the interior of the tube.

BRACKETS



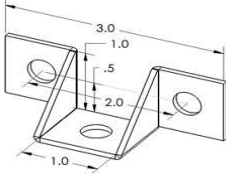
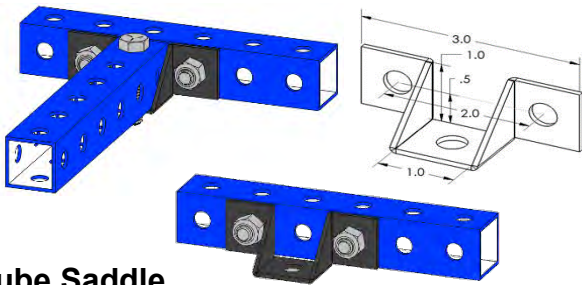
3 x 3 T Bracket
Part #: 50043010

Increase connection points while reducing component stress. Creates flush framing.



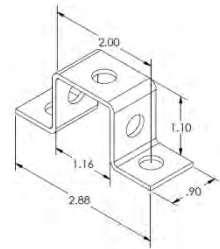
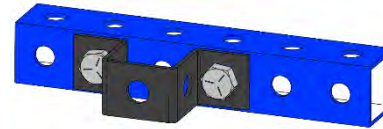
3 x 3 L Bracket
Part #: 50033010

Increase connection points while reducing component stress. Creates flush framing.



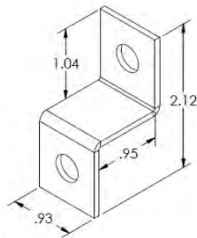
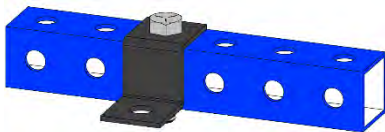
Tube Saddle
Part #: 50093010

Add support to any workstation or flow rack. Creates flush support.



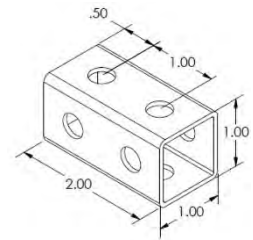
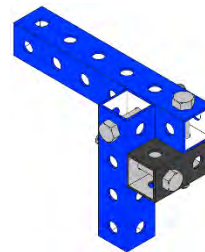
Economic Ergo Leg Bracket
Part #: 5007300

Guide used to quickly adjust work surface height.



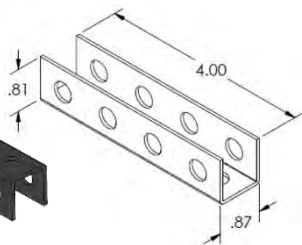
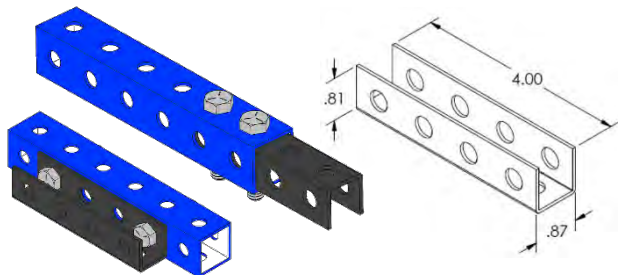
EZ-Shelf Bracket
Part #: 50123010

Shelving, support, mounting surfaces, & stops.



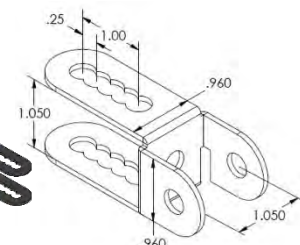
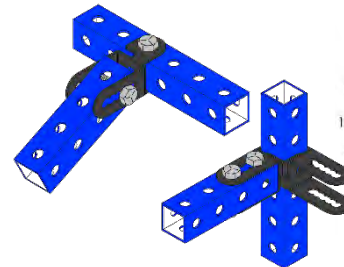
2" Stube Tube
Part #: 50154010

For direct bolt joints & stops.



Tube Union
Part #: 50103010

Tube extensions & point of use lower.

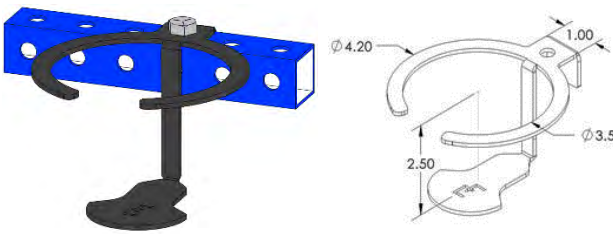


Universal Joint
Part #: 50023010

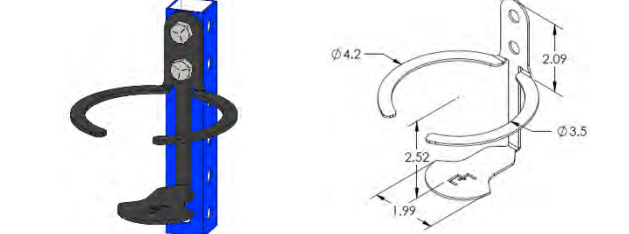
Creates flush joints, angle gussets, & additional support.

ACCESSORIES

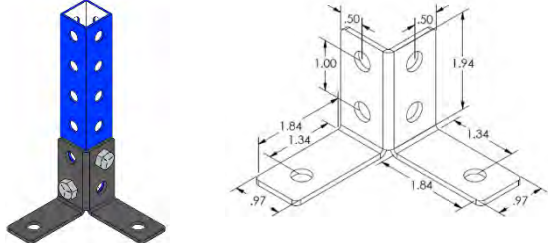
Accessories are an intricate part of the building process, making your project more useful, functional, and flexible. The Flex Craft series of accessories will add versatility to your project. Just like the brackets, if you have an idea/need for a new part or accessory, contact one of our Flex Craft Sales Engineers as we are continually adding accessories to our product line.



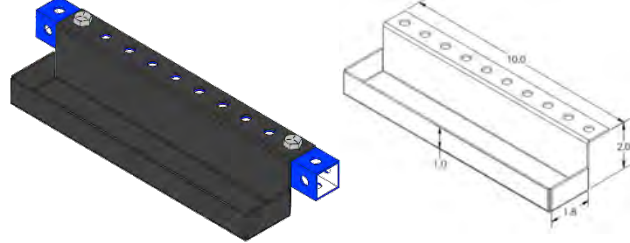
Horizontal Cup Holder
Part #: 60161400
 Cup/ bottle holder. Bolts to a horizontal tube.



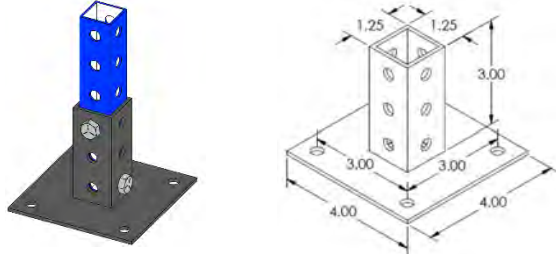
Vertical Cup Holder
Part #: 60171200
 Cup/ bottle holder. Bolts to a vertical tube.



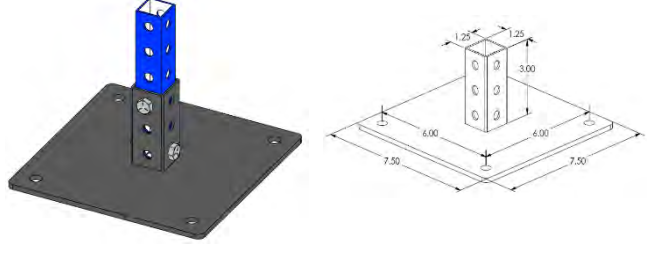
Universal Footer
Part #: 50162010
 Post support, floor lag, mounting surfaces. Used single or doubled, on 1"x1" or 1"x2".



Point of Use Tray
Part #: 60211400
 Multipurpose tray for holding wrenches, screwdrivers, writing utensils, spare parts, etc.

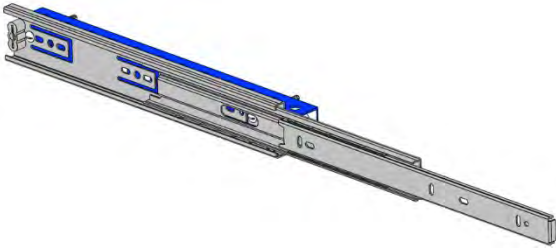


Footer
Part #: FOOTER
 Post support, floor lag.



Large Footer
Part #: LGFOOTER
 Extended base, post support, freestanding signage, floor lag.

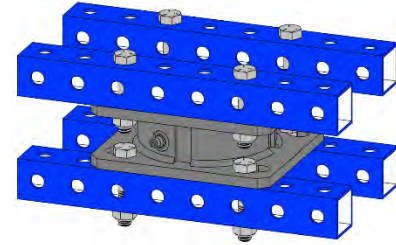
ACCESSORIES



Drawer Slide Set

Part #: DRAWERSLIDE(12)(18)(24)

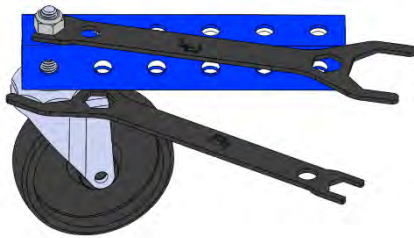
Customize drawers to your needs. 100 lb. load rating. Available in 12", 18", & 24".



3" x 3" Turn Table

Part #: TTABLE3

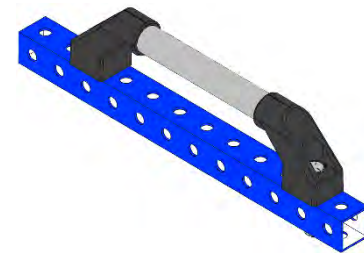
Same bolt pattern as Plate casters. For quad steer carts, lazy susan and rotation.



Combo Wrench

Part #: FCCW

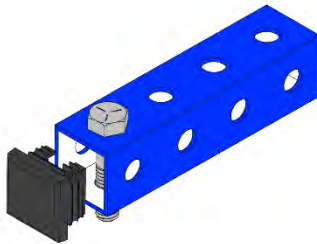
A combination wrench to assist with stem casters and 1/2" bolts.



Machine Handle

Part #: HANDLE

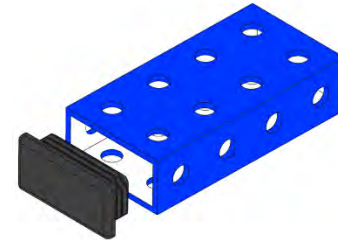
Bolts directly to tube. For drawers, doors, & push handle applications. 9" length.



Notched End Plug

Part #: N-ENDPLUG

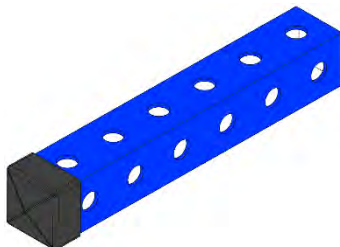
Conceals tube end. Notched to fit bolt shoulder inside of the tube.



1" x 2" End Plug

Part #: 1x2 ENDPLUG

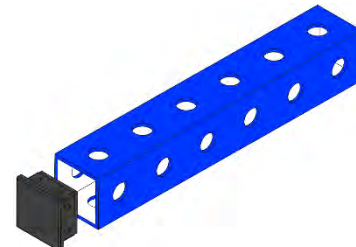
Conceals 1" x 2" tube end.



Dip Molded End Cap

Part #: CAP

A vinyl cap covers the exterior of the tube end.

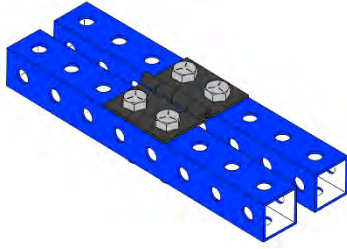


Insert Glide

Part #: INSGLI

Poly glide plugs into tube end. For finished floors, easy slide desk & workstation.

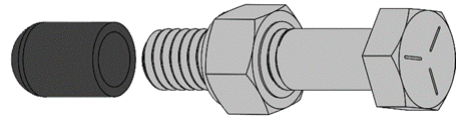
ACCESSORIES



Hinge

Part #: HINGE

Adding Doors to workstations & movable dividers on flow racks. For light duty applications only.



Dip Molded Bolt Cap

Part #: BOLT CAP

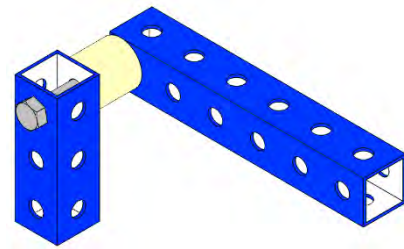
Vinyl cap covers exposed bolt ends.



Monitor Mount

Part #: Monitor Mount

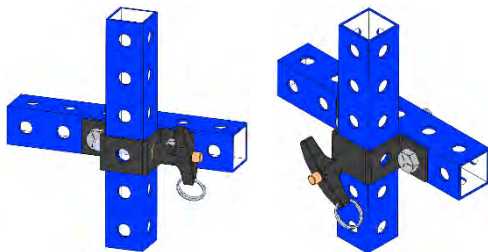
Fits any standard monitor & lines up with the Flex Craft bolt pattern.



Nylon Wheel Spacer

Part #: 1x1NW

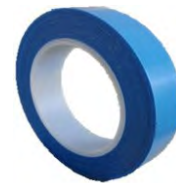
Pivoting solutions, point-of-use conveyors, spacer between tubes and stops.



T-Handle Pin

Part #: THandleBR112, THandleBR212

Plug & Play pinning. Fits into tube holes. Available in 1 1/2" & 2 1/2" lengths.



Teflon Tape 1" x 18yd.

Part #: SSTAPE1

Flow racks, conveyors. Reduce friction between movable parts & tubing.



Neoprene Foam

Part #: Neoprene Foam

Holding surfaces into place while moving cart, paint protection.



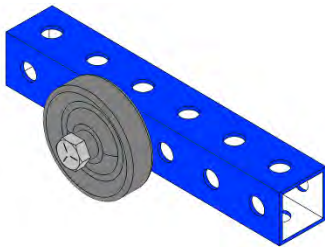
Double Sided Foam Tape

Part #: DB TAPE

Holding surfaces into place while moving cart, often used with sliders.

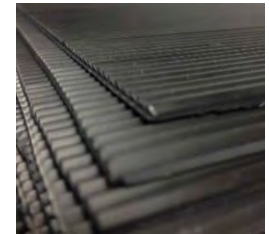
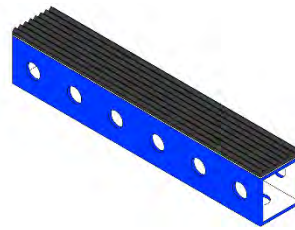
CONVEYORS

Conveyors assist in the manufacturing atmosphere in several different ways. One way is to incorporate gravity-fed conveyors to keep parts/products in reach for continuous flow. We have a variety of different conveyor options available to fit your needs.



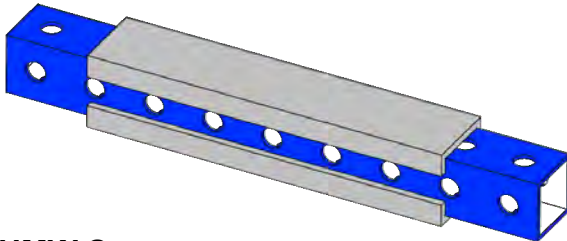
Skate Wheel
Part #: SKATE60

Point of use gravity-fed flow. Bolts to the tube. 60 lb. load rating.



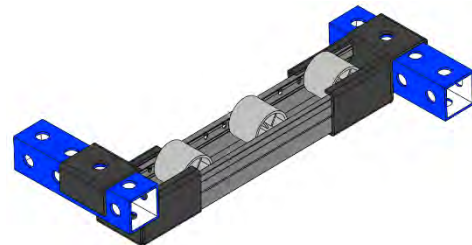
Slider Sheet – 24” W x 120” L
Part #: Slide120”

Uses surface tension & gravity to allow lightweight product to slide into position without a divider.



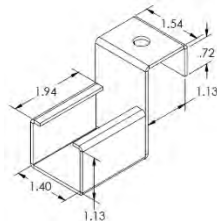
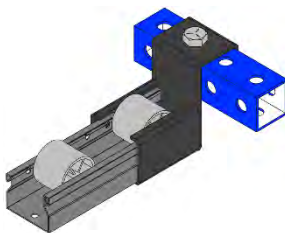
UHMW Snap
Part #: Snap120”

C-Channel UHMW. Protects painted parts & conveyance. Sold in 5’ and 10’ lengths.



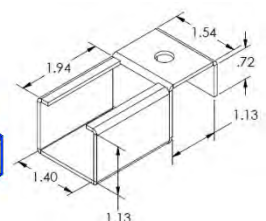
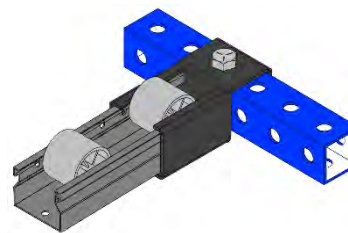
Micro Wheel Conveyor
Part #: MWC120

Flow racks, parts flow. Sold in 10’ lengths.



Micro Wheel Conveyor Stop Mount
Part #: 43000004

Connects to horizontal tube with a bolt. Supports micro-wheel conveyor with a stop.



Micro Wheel Conveyor Flush Mount
Part #: 43000003

Connects to horizontal tube. Supports micro-wheel conveyor, flush for easy loading.

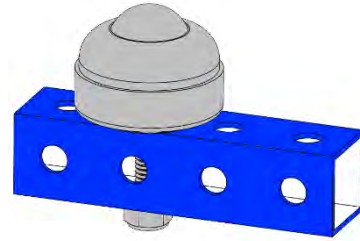
CONVEYORS



Teflon Tape 1" x 18yd.

Part #: SSTAPE1

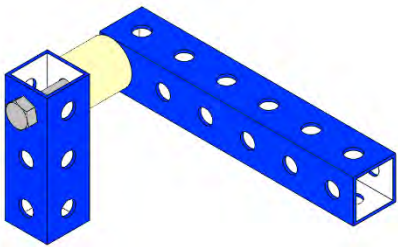
Flow racks, conveyors. Reduce friction between movable parts & tubing.



Ball Transfer

Part #: Ball Transfer

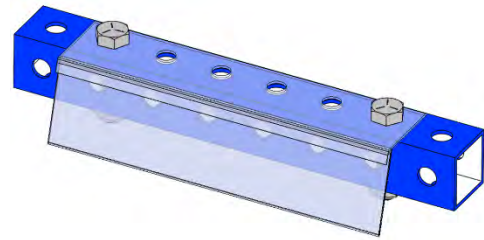
Point of use orbital movement conveyor. 75 lb. load rating.



Nylon Wheel Spacer

Part #: 1x1NW

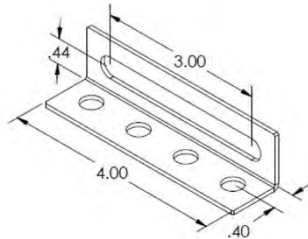
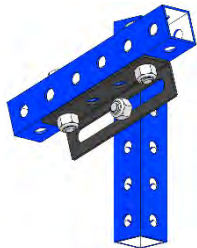
Pivoting solutions, point-of-use conveyors and stops, spacer between tubes and stops.



Label Holder

Part #: LHOLDER

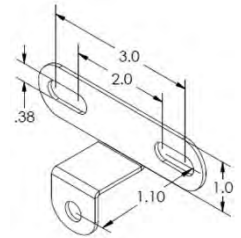
Bolts to a tube. Angled upward for easily identifying parts & their home. Sold in 4' length.



Slotted Flow Bracket

Part #: 4300002

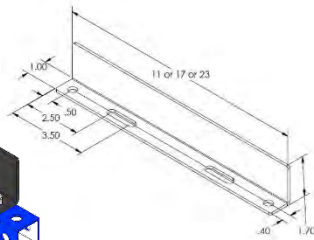
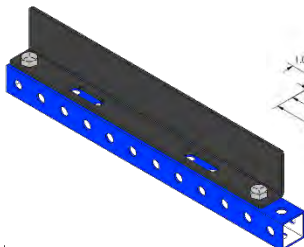
Creates quick adjustment angles for flow shelves.



Universal Flow Bracket

Part #: 4300001

Creates custom angles for flow shelf support.



L Bracket

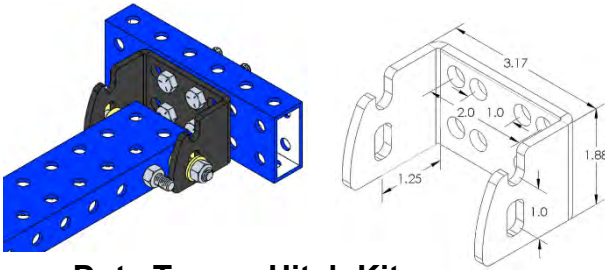
Part #: 60341400, 60351400, 60361400

Point of use louver, flow rack lane dividers. Available in 11", 17", & 23".



TOWABLES

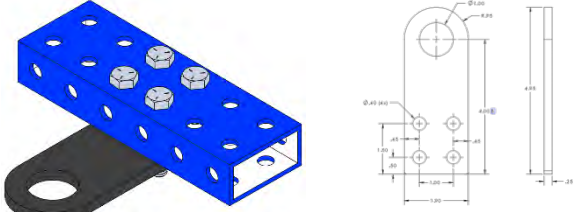
Towables assist in the manufacturing atmosphere in several ways. One way is moving product from point A to point B in a smooth transition via multiple tugging carts. Hitches and adapters make attaching and detaching Tuggers simple. Not sure what hitch type would work best for your needs? Contact one of our Flex Craft Sales Engineers as we are happy to assist.



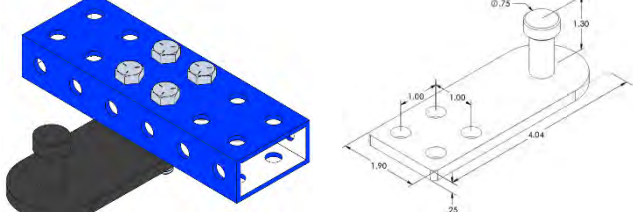
Heavy Duty Tugger Hitch Kit
Part #: Heavy Duty Hitch Kit
 Self locking hitch fits a 1"x2" or doubled 1"x1" tube. Sold with a male, female, & 24" tube.



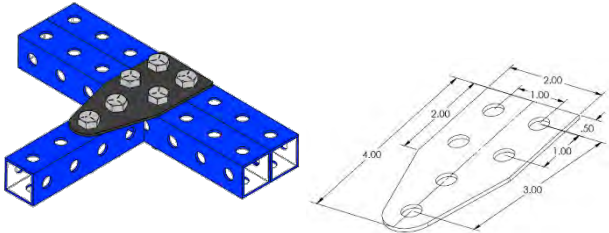
Hitch Assembly Kit
Part #: Economy Hitch Assembly
 Connects various carts to move items into different locations.



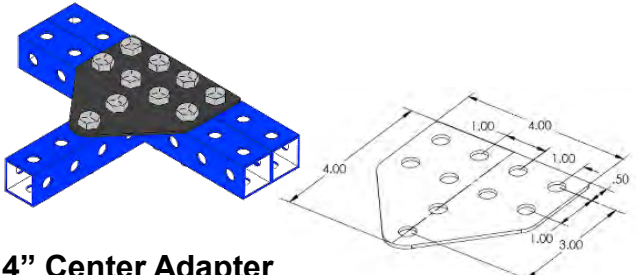
Heavy Hitch Female Adapter
Part #: HHITCHF 1 Inch-Ext
 Various applications with HD Tugger hitch & on its own with the male adapter.



Heavy Hitch Male Adapter
Part #: HHITCH ME-Ext
 Various applications with HD Tugger hitch & on its own with the female adapter.



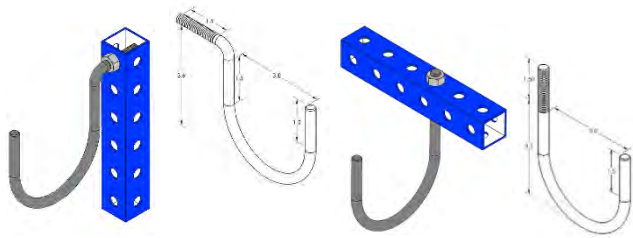
2" Center Adapter
Part #: 50143010
 Light duty towing applications. Allows 1/2" adjustments.



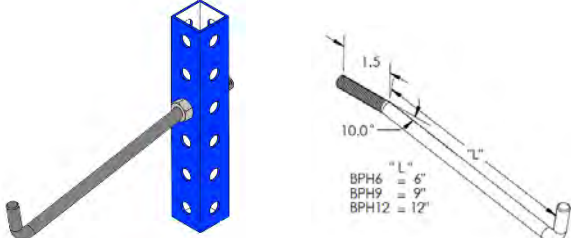
4" Center Adapter
Part #: 50133010
 Light duty towing applications. Allows 1/2" adjustments.

WIRE FORM

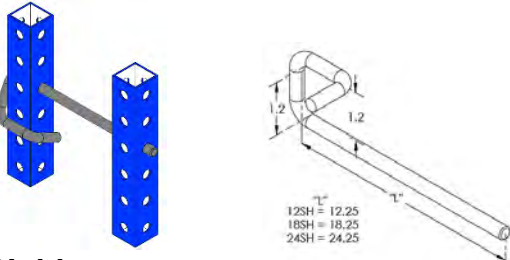
The Flex Craft Wire Series consists of several products that will assist in virtually any application. The items in this series simply attach to the horizontal or vertical tubing. They make an excellent addition to any project allowing quick and easy access to the items that are commonly utilized. If you have a new need or idea, contact one of our Flex Craft Sales Engineers as we are continually adding accessories to our product line.



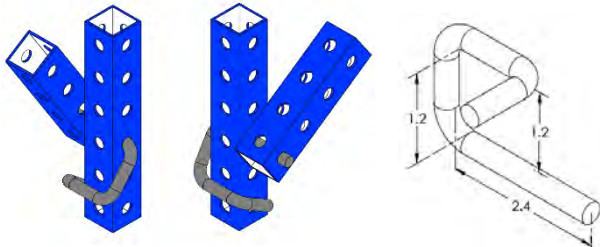
Horizontal or Vertical Hook 3" Gap
Part #: BH3 or BV3
 Coat, tool, & parts holder. Mounts to a vertical or horizontal tube.



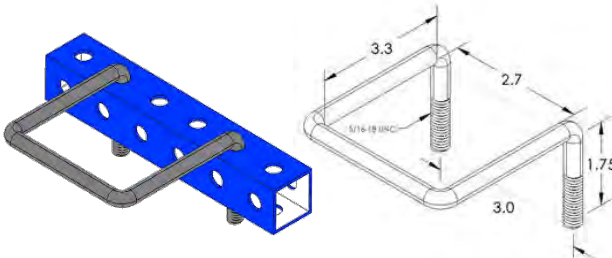
Bolted Peg Hook
Part #: 60273100, 60283100, 60293100
 Accessory, tool, & parts holder. Bolts to a vertical or horizontal tube.



Spool Holder
Part #: 60313102, 60323102, 60333102
 Holds Rolland & spools with easy self lock. Available in 12", 18", & 24".



Tool Less Pin Connector
Part #: TLCONNECTOR
 Quick connect tubes in place that are moveable. Sold as a pair, left & right.

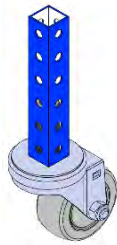


Threaded Tool Holder Square
Part #: 60393100, 60403100, 60413100
 Point of use tool holder. Easily movable. Available in 2", 3", & 4".



CASTERS / FEET

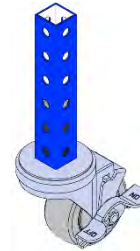
Casters are used on more than just carts. They add mobility to workstations, flow racks, and mobile storage units. There are a variety of options available to assist with your applications. Plate casters, expandable casters, and stem casters. Available in 3", 5", & 6" (wheel diameter) Non-marking rubber donut and polyolefin casters. Sold individually or in case quantity. Specialty casters are available upon request.



4" Tall

3" Expandable Caster
Part #: 3GDEC300

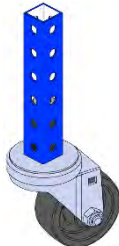
Rubber donut caster. Insert into end of tube and expandable. 300 lb. load rating.



4" Tall

3" Expandable Caster W/ Brake
Part #: 3GDEC300B

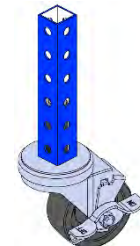
Rubber donut caster w/ brake. Insert into end of tube and expandable. 300 lb. load rating.



4" Tall

3" Polyolefin Expandable Caster
Part #: 3PEC250

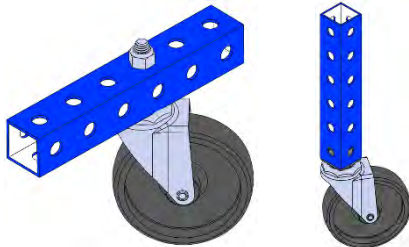
Polyolefin caster. Insert into end of tube and expandable. 250 lb. load rating.



4" Tall

3" Polyolefin Expandable W/ Brake
Part #: 3PEC250B

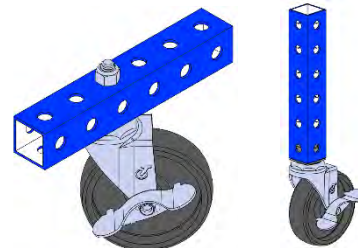
Polyolefin caster w/ brake. Insert into end of tube and expandable. 250 lb. load rating.



3 1/2" Tall

3" Stem Caster
Part #: 3PSC120

Polyolefin caster. Bolts through tube or used with threaded insert. 120 lb. load rating.

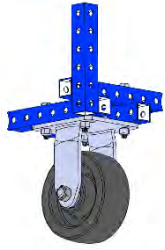


3 1/2" Tall

3" Stem Caster W/ Brake
Part #: 3PSC120B

Polyolefin caster. Bolts through tube or used with threaded insert. 120 lb. load rating.

CASTERS / FEET

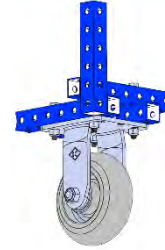


6 1/2" Tall

5" Rigid Plate Caster

Part #: 5RPC650

Polyolefin caster. Bolts directly to tube, one direction. 650 lb. load rating.

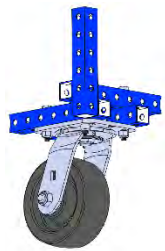


6 1/2" Tall

5" Rigid Plate Caster

Part #: 5GDR500

Rubber donut caster. Bolts directly to tube, one direction. 500 lb. load rating.

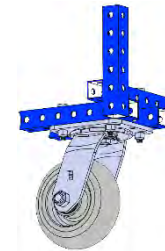


6 1/2" Tall

5" Swivel Plate Caster

Part #: 5SPC650

Polyolefin caster. Bolts directly to tube, multi-directional. 650 lb. load rating.

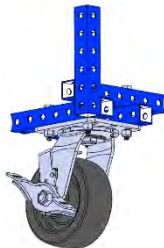


6 1/2" Tall

5" Swivel Plate Caster

Part #: 5GDS500

Rubber donut caster. Bolts directly to tube, multi-directional. 500 lb. load rating.

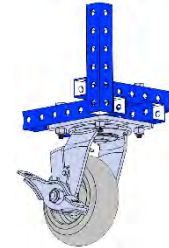


6 1/2" Tall

5" Swivel Plate Caster W/ Brake

Part #: 5SPC650B

Polyolefin caster w/ brake. Bolts directly to tube, multi-directional. 650 lb. load rating.

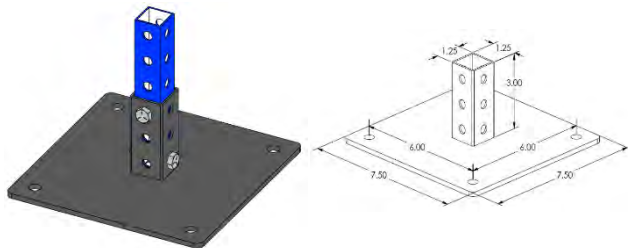


6 1/2" Tall

5" Swivel Plate Caster W/ Brake

Part #: 5GDS500B

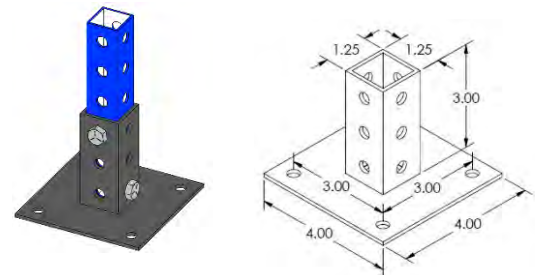
Rubber donut caster. Bolts directly to tube, multi-directional. 500 lb. load rating.



Large Footer

Part #: LGFOOTER

Extended base, post support, freestanding signage, floor lag.

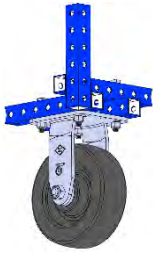


Footer

Part #: FOOTER

Post support, floor lag.

CASTERS / FEET

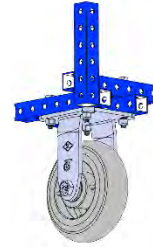


7 1/2" Tall

6" Rigid Plate Caster

Part #: 6RPC750

Polyolefin caster. Bolts directly to tube, one direction. 750 lb. load rating.

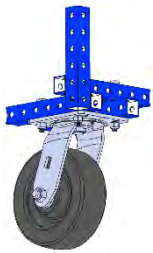


7 1/2" Tall

6" Rigid Plate Caster

Part #: 6GDR600

Rubber donut caster. Bolts directly to tube, one direction. 600 lb. load rating.

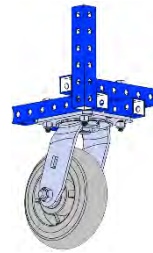


7 1/2" Tall

6" Swivel Plate Caster

Part #: 6SPC750

Polyolefin caster. Bolts directly to tube, multi-directional. 750 lb. load rating.

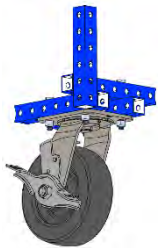


7 1/2" Tall

6" Swivel Plate Caster

Part #: 6GDS600

Rubber donut caster. Bolts directly to tube, multi-directional. 600 lb. load rating.

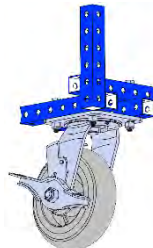


7 1/2" Tall

6" Swivel Plate Caster W/ Brake

Part #: 6SPC750B

Polyolefin caster w/ brake. Bolts directly to tube, multi-directional. 750 lb. load rating.

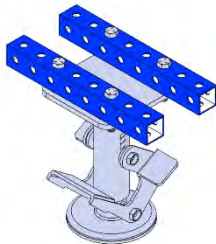


7 1/2" Tall

6" Swivel Plate Caster W/ Brake

Part #: 6GDS600B

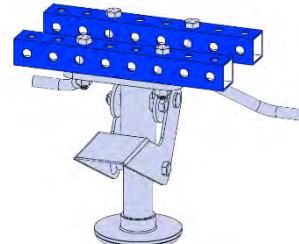
Rubber donut caster. Bolts directly to tube, multi-directional. 600 lb. load rating.



Heavy Duty Floor Lock

Part #: (HD4FL)(HD5FL)(HD6FL)

Bolts directly to tube, same bolt pattern as casters. Available in 4", 5", & 6".

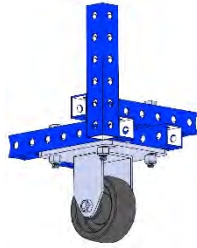


Floor Lock

Part #: 5FL and/or 6FL

Bolts directly to tube, same bolt pattern as casters. Available in 5" & 6".

CASTERS / FEET

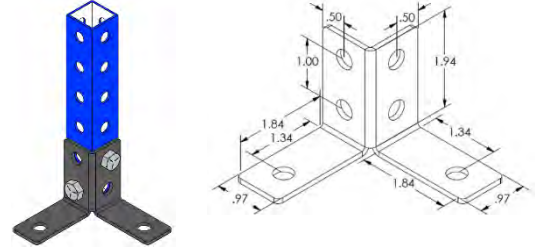


4 1/2" Tall

3" Rigid Plate Caster

Part #: 3RPC500

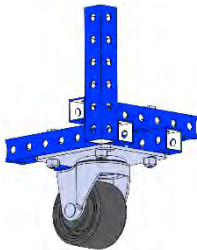
Polyolefin caster. Bolts directly to tube, one direction. 500 lb. load rating.



Universal Footer

Part #: 50162010

Post support, floor lag, mounting surfaces. Used single or doubled, on 1"x1" or 1"x2".

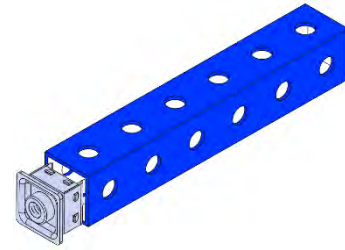


4 1/2" Tall

3" Swivel Plate Caster

Part #: 3SPC500

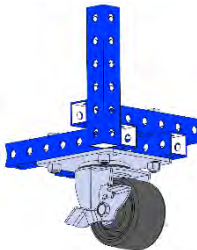
Polyolefin caster. Bolts directly to tube, multi-directional. 500 lb. load rating.



Threaded Metal Insert

Part #: INSERT

Press into tube end for stem casters and/or glide stems. For light duty applications.

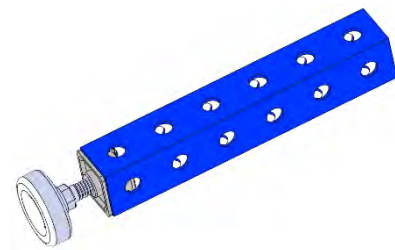


4 1/2" Tall

3" Swivel Plate Caster W/ Brake

Part #: 3SPC500B

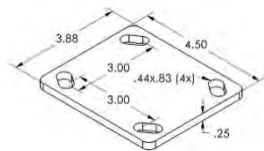
Polyolefin caster w/ brake. Bolts directly to tube, multi-directional. 500 lb. load rating.



Nylon Glide Stem

Part #: NGS

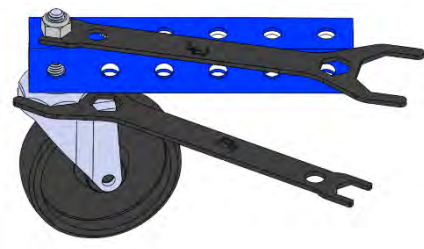
Bolts through tube or into insert. For feet and/or leveling.



Caster Shim Plate

Part #: 30102010, 30111010

Same size as plate caster base. Level or add slope for zero-turn radius cart. Available in 12 ga & 1/4".





Combo Wrench

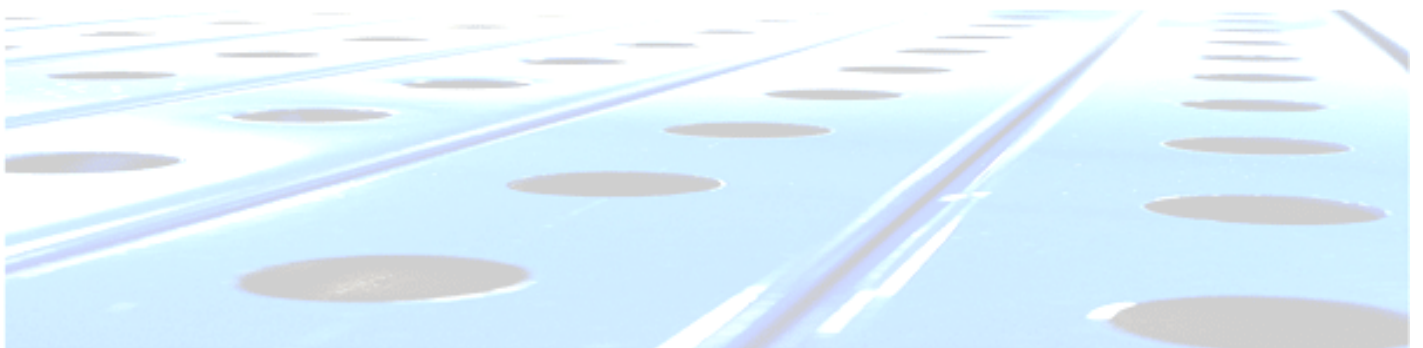
Part #: FCCW

A combination wrench to assist with stem casters and 1/2" bolts.









FASTENERS

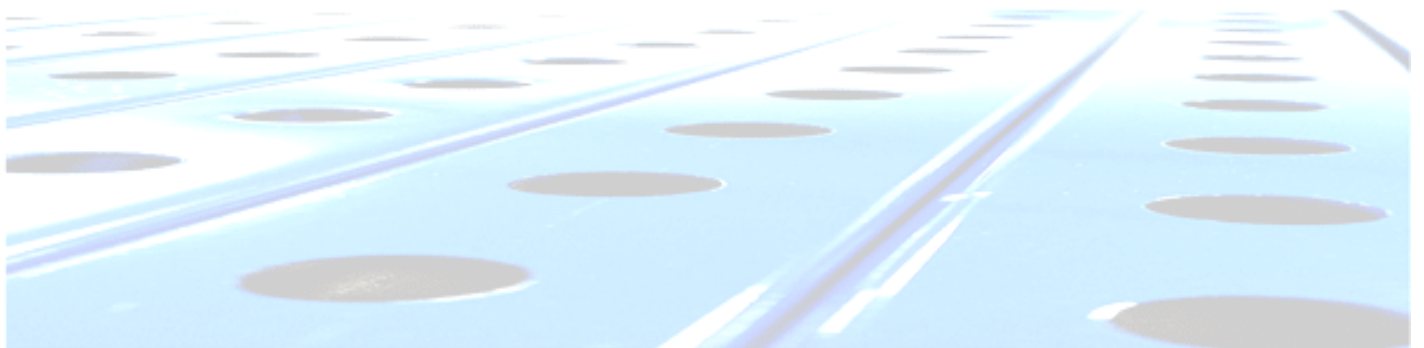
Common UNC 5/16-18 Fasteners can be used with Flex Craft products in a variety of framing applications.

| <u>Length</u> | <u>Part #</u> | <u>Applications</u> | |
|--|---------------|-----------------------|-------------------------------|
| Clinch Head Bolt | | | |
|  | 1 1/2" | 516x18x1122 | Flush/Flat Bolt Head |
| | 2 1/2" | 516x18x2122 | Flush/Flat Bolt Head |
| Hex Cap Bolt | | | |
|  | 1 1/2" | 516x18x1122 | Universal Joint & Accessories |
| | 1 3/4" | 516x18x1342 | Plate Casters & Accessories |
| | 2" | 516x18x22 | Surfaces & Panels |
| | 2 1/4" | 516x18x2142 | Skate Wheels & Panels |
| | 2 1/2" | 516x18x2122 | Bolt 2 Tubes together |
| | 2 3/4" | 516x18x2342 | Panels & Plate Casters |
| | 3 1/2" | 516x18x3122 | Bolt 3 Tubes together |
| | 3 3/4" | 516x18x3342 | Panels & Plate Casters |
| | 4 1/2" | 516x18x4122 | Bolt 4 Tubes together |
| | 4 3/4" | 516x18x434 | Panels & Plate Casters |
| 5 1/2" | 516x18x5122 | Bolt 5 Tubes together | |



FASTENERS

| Washers & Nuts | | |
|---|-----------|---|
| Description | Part # | Applications |
|  Nylon Lock Nut | 516x182N | Recommended for mobile/ vibrating applications |
|  Flat Washer | 516FW | General framing & plate casters |
|  Hex Nut | 516x182 | General framing & accessories. Not recommended for mobile applications |
|  Split Lock Washer | 516SPLW | Used with hex nut & clinch head as an alternative to a nylon lock nut |
|  Wing Nut | Wing Nut | Quick change & or hand tighten fasteners |
|  Star washer | 516SW | Used between tube joints & fasteners with drag chain for ESD applications |
|  Nylon Acorn Nut | Acorn Nut | Cover bolt threads |
|  Nylon Washer | 516NW | General framing & pivoting application |



RFQ

Flex Craft has access to several specialty items that allow the user to take their project to the next level. Add Ergonomic Leg Lifts to a workstation allowing the workstation to be utilized at various heights. Special surfaces like HDPE and Pegboard help 5S work areas. The possibilities are endless. Contact a Sales Engineer to discuss the various options.



Electric Ergo Leg Lift Kit
Part #: ELLE6, ELLE12

Includes 4 legs & electric lift. For ergonomically lifting tables and/or workstations.



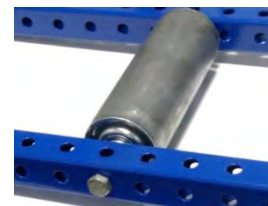
Manual Ergo Leg Lift Kit
Part #: ELLM6, ELLM12

Includes 4 legs & hand crank lift. For adjusting height of tables and/or workstations.



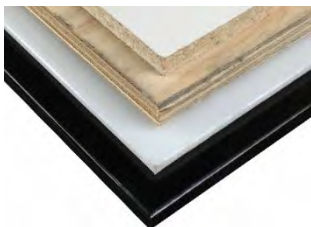
Spring Conveyor
Part #: 6SLC, 12SLC

Flow racks, assembly lines. Available in 6" & 12".



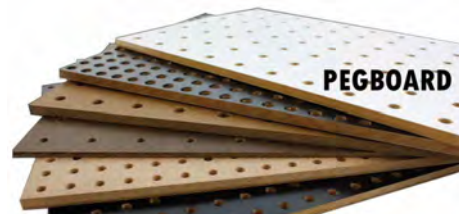
Bolt threw Conveyor
Part #: 6BTC

Flow racks, assembly lines. 1.9" Radius 6" length.



Surfaces
Part #: RFQ

Flow racks, workstations, carts. Examples: Plastic, wood, & Sheet Metal.



Peg Board
Part #: RFQ

For 5S applications in work areas, workstations, & assembly carts.

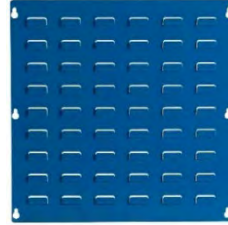
RFQ



Netting / Guarding

Part #: RFQ

Guards, backing, dividers.



Louver Panel

Part #: RFQ

Organizing parts & storage bins in work areas.



5/16" Clevis Pin

Part #: RFQ

Pivoting & quick release. Available In $\frac{3}{4}$ ", $1\frac{1}{2}$ ", & $2\frac{1}{4}$ ".



Hitch Clip

Part #: RFQ

With Clevis Pin for quick release.



3" Radius Bent Tube

Part #: RFQ

Dividers, handles, legs.



5/16" Round Head Screw

Part #: RFQ

Normal construction of tubing and surfaces.



5/16" Socket Head Cap Screw

Part #: RFQ

For counter sunk (hidden) into the tube.



5/16" Flat Head Screw

Part #: RFQ

Surfaces. Bore out hole in surface to create a flush top.

ASSEMBLY SERVICES



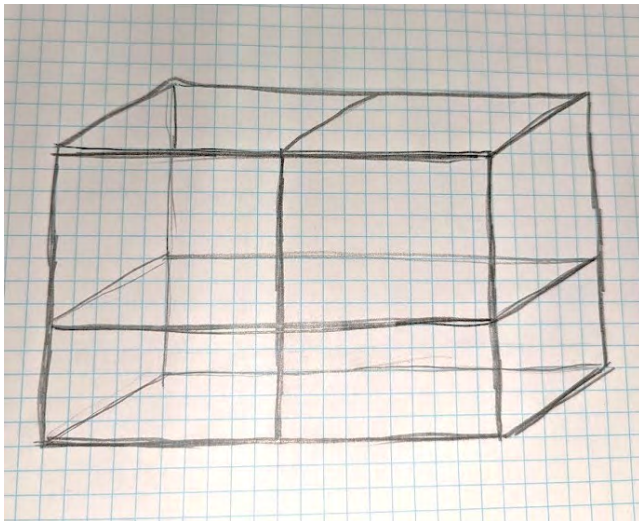
Take a seat & let us do the wrenching for you!

Have Flex-Craft build it so you can hit the ground running!

Send us your CAD drawing, SolidWorks file, or a hand-drawn sketch.

From Concept

To Solutions



Contact Us Today to learn about our design & assembly services.

www.flex-craft.com

507-858-0148

info@flex-craft.com

ASSEMBLY SERVICES

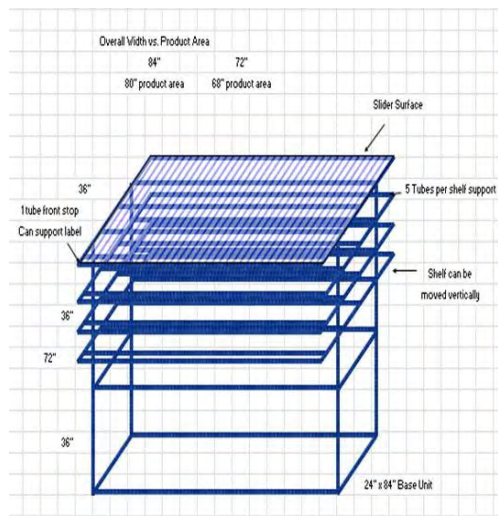
Flex Craft can bring your concept to life in as many steps as you desire.

Prototyping Services, You can build with Flex Craft faster than drawing it using software. We will build your concept in our facility and provide photos of the creation. Having a “real-life” concept gives you a realistic scope and scale of the project. Since it’s Flex Craft, alterations are encouraged! Once complete, we can ship you the prototype for testing at your facility.

Drafting Services, We can take a napkin sketch and generate a structural print for your records. We can make prints from concepts without prototyping, however, the time to create might be increased due to possible concept opportunities.

Build Services, Utilizing prints, our team can generate your concept from 1 unit to hundreds and ship them to you.

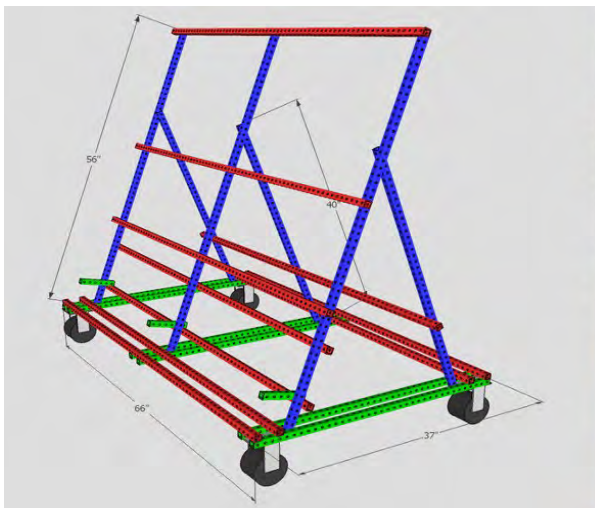
From Ideas



To Solutions



From Print



To Production



EXAMPLES



www.flex-craft.com

507-858-0148

info@flex-craft.com

EXAMPLES



EXAMPLES

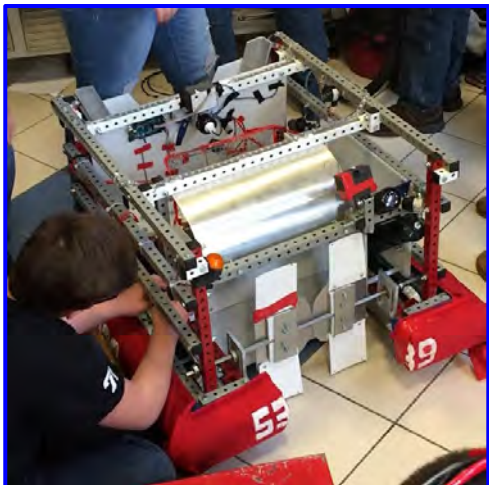


www.flex-craft.com

507-858-0148

info@flex-craft.com

EXAMPLES

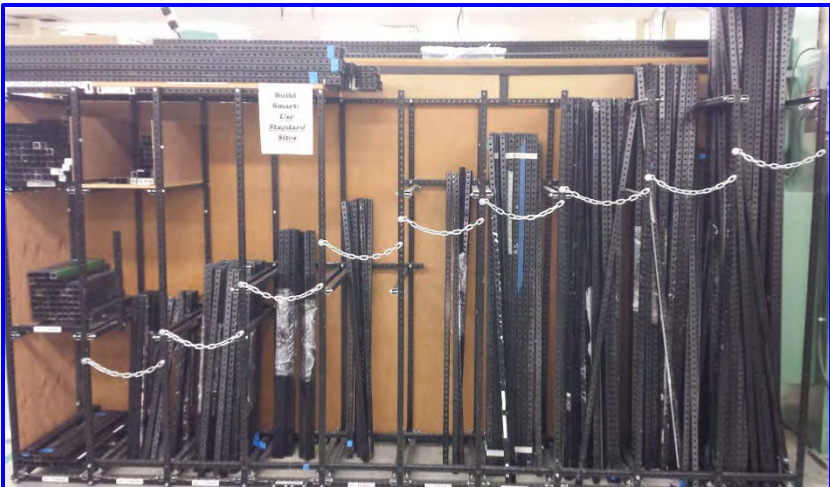


www.flex-craft.com

507-858-0148

info@flex-craft.com

EXAMPLES

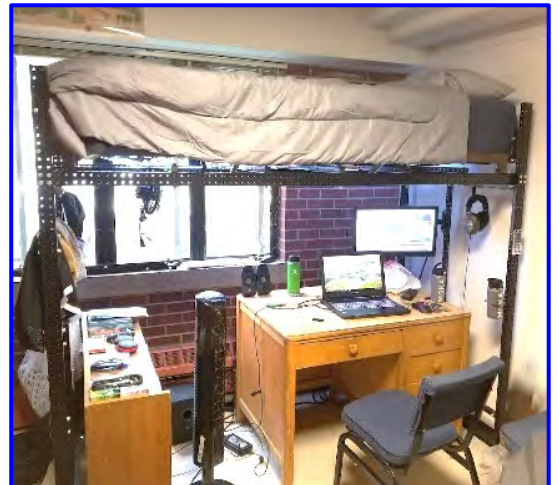
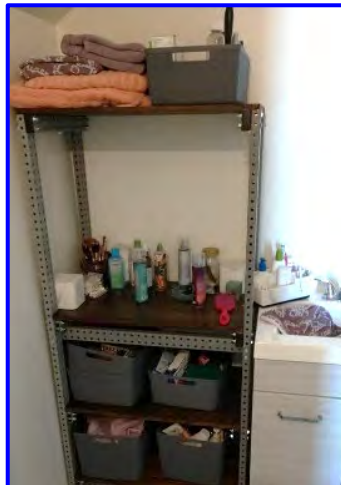


www.flex-craft.com

507-858-0148

info@flex-craft.com

EXAMPLES



Thank you!

Customers like you allow Flex Craft to be able to provide quality products at an affordable price. From everyone here at Flex Craft, we appreciate your business and look forward to working with you in the future!



www.flex-craft.com

507-858-0148

info@flex-craft.com



www.flex-craft.com
Phone 507-858-0148
Toll Free 877-565-3539
Fax 507-896-3112
Email info@flex-craft.com

Looking For a Starting Point?



Try our kits! Check on-line for a variety of options.



The Show Kit will build any one of these and more!

1. Cart & Workstation
2. Workstation & Mobile Flow Rack
3. Storage Cart & Shelving
4. Workstation with Flow Rack

Flex Craft
300 Westgate Drive
Houston, MN 55943

Find us on



Instagram